

Tandem Vibratory Roller

BW138AD

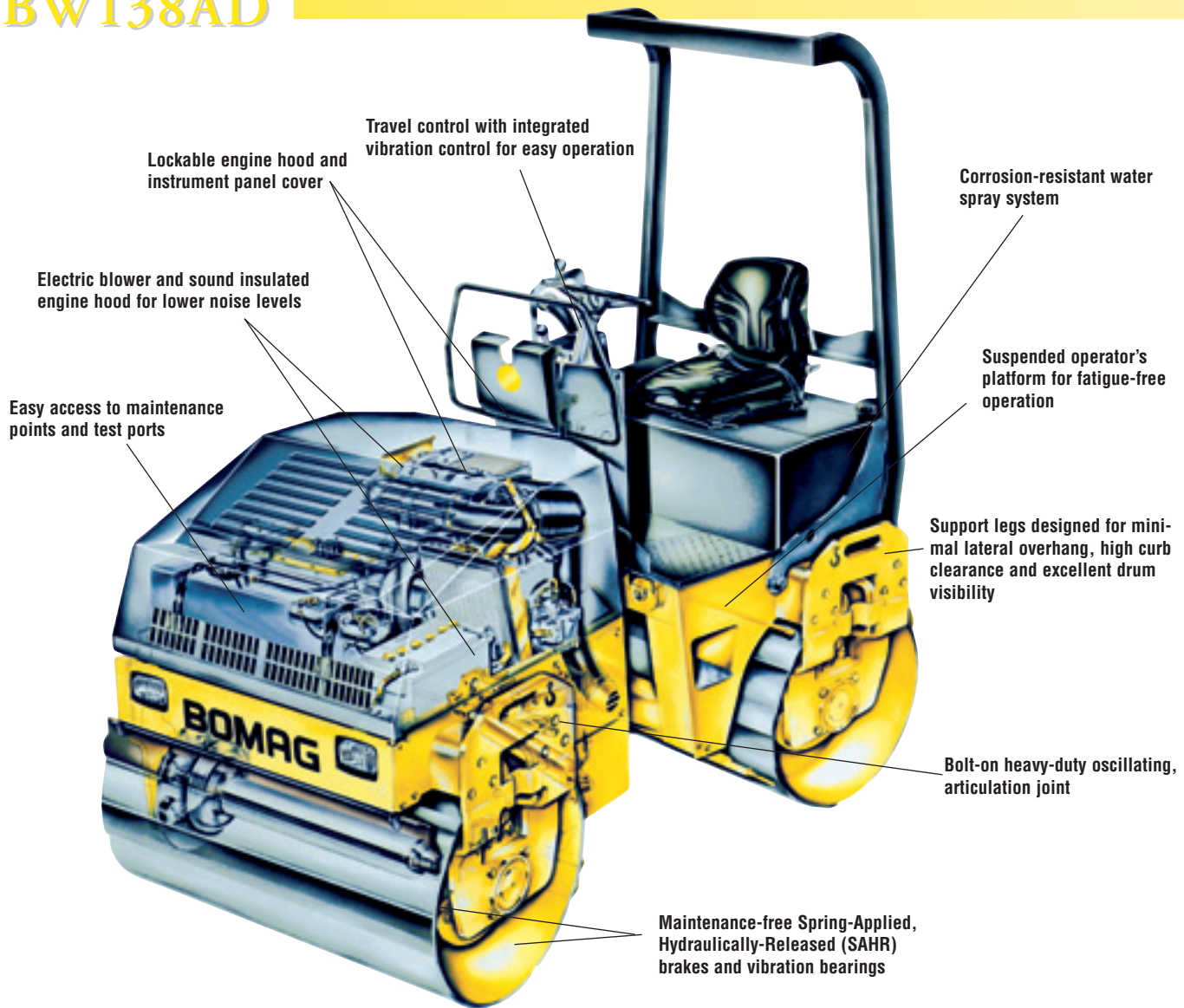


EARTHWORKS						
# passes	rolling speed	area coverage sq yd/hr	"productivity in cu yd/hr by lift thickness, 100% efficiency"			
	(mph)		4 inches	6 inches	8 inches	12 inches
2	3.7	4911	546	820	1093	1639
3	3.7	3274	364	546	729	1093
4	3.7	2456	273	410	546	820
5	3.7	1964	219	328	437	656

ASPHALTIC CONCRETE (material weight 140 lb/cu ft)						
# passes	rolling speed	area coverage sq yd/hr	"productivity in tons/hr by lift thickness, 100% efficiency"			
	(mph)		1.5 inches	2 inches	2.5 inches	3 inches
2	3.7	4911	387	516	646	775
3	3.7	3274	258	344	430	516
4	3.7	2456	194	258	323	387
5	3.7	1964	155	207	258	310
6	3.7	1637	129	172	215	258

Note: Repeat number of passes over the same area is required to achieve specified compaction efficiency/density. Successive passes over same area results in reduced area coverage and productivity. Rolling speed selected provides impact spacing of a minimum 10 impacts per foot at high vibration frequency setting. Actual compaction efficiency is determined by job conditions.

BW138AD



■ *The ideal alternative to heavy tandem rollers*

Weighing in at over four tons, the BW138AD is the largest in Bomag's line of compact tandem vibratory rollers. The suspended operator's platform provides maximum comfort while the laterally-sliding seat ensures optimal visibility of the working area and drum edge. Enhancing the BW138AD's flexibility, the vibration mode selector allows an operator to choose between either double vibration or single vibration at front drum only, as well as automatic or manual vibration system on/off control. The combination of excellent maneuverability, high compaction performance and unobstructed visibility

ensures optimum productivity on both soil and asphalt applications.

■ Applications:

- Highway construction and maintenance
- Walkways, bicycle and cart paths
- Driveways
- Parking lots
- Asphalt repairs and resurfacing



BW138AD in action on an asphalt repair application

Featuring...



Standard laterally adjustable seat with double drive lever available as an option

■ Handling is Easier & Safer:

- Responsive yet smooth travel controls help reduce the risk of rippling caused by operator error.
- Rubber-isolated driver's platform provides enhanced operator comfort and safety by minimizing vibration feedback.
- Simple control layout makes operation safe and easy, even for inexperienced operators.
- Lateral adjustment of driver's seat gives unequaled visibility of drum edges and makes maneuvering easy in confined areas.
- Raised and enlarged lifting eyes make transportation easier with less risk of damage.
- ROPS frame, with standard seat belt is prewired for a flashing beacon.



Wind protected spray nozzles provide even drum coverage

Achieve high compaction performance with this compact, economical roller

■ Achieve Maximum Productivity:

- 3-cylinder diesel engine with power in reserve is designed for highest reliability.
- Two vibration frequencies provide better compaction on a wider range of materials and higher working speeds on asphalt.
- Vibration is automatically shut off if operating speeds are too high, eliminating rippling through operator error and costly rework on asphalt.
- Large diameter drums reduce mat pushing and cracking providing a high quality finish.
- A 0.87 inch drum shell provides maximum strength for long life and durability.
- Two scrapers per drum reduce the risk of material pick up.
- Vandal-protected instrument panel and corrosion-proof ignition switch reduces electrical problems and costly on-site servicing.
- Lockable engine cover means all fill ports are out of sight to prevent vandalism.
- Automatic shut-off of water spray in neutral travel position conserves water usage and extends time between tank refills.
- Large capacity, corrosion and impact resistant plastic water tank extends operation between refills. Large drain plug and plastic, quick-disconnect spray nozzles eliminate corrosion and debris problems.



The bolt-on oscillating, articulation joint is designed for long life even in tough site conditions

■ Less Service & Maintenance:

The purchase price is important, but so are the operating costs. Check out these features:

- Low maintenance reduces operating costs and increases profits.
- Vibration bearings and SAHR brakes are maintenance-free.
- Wide opening engine cover allows easy access for daily checks and routine servicing.
- Simple LED diagnostic system allows fast and simple trouble-shooting on site.
- Easy access to hydraulic test ports means fast servicing.
- BOMAG oil filtration system extends oil and filter changes up to 2000 hours or one year.
- Operator's daily checks for hydraulic oil level and filter, battery and air filter are quickly carried out visually.



The powerful diesel engine has low maintenance costs



Easily accessible components for fast maintenance

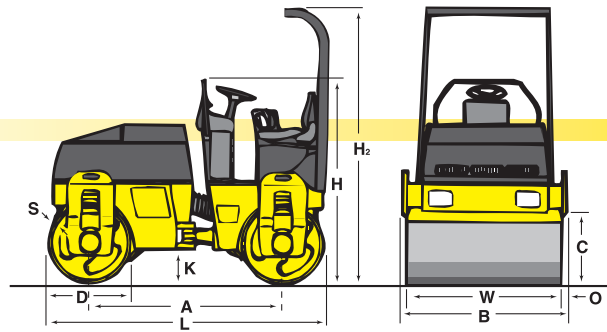
With these features and many more, it's easy to see why this model maintains a high residual value while delivering lower lifetime operating costs.

Technical Specifications

BW138AD

Shipping dimensions

in cubic feet (m ³)	without/with ROPS
BW138AD	255.4 (7.231) 362.6 (10.268)



Standard Equipment

- Hydrostatic travel and vibration drives
- Bolt-on oscillating/articulation joint
- Hydrostatic articulated steering
- Spring-Applied, Hydraulically-Released (SAHR) parking brakes on each drum
- Lateral sliding seat and controls assembly
- Vibration control in travel lever
- Adjustable operator's seat
- Plastic water tank
- 2 scrapers per drum
- Pressure water spray system with interval timer
- Control and warning indicator lights for:
 - Hydraulic oil temperature
 - Engine oil pressure and temperature
 - Battery
 - Brakes
- Hour meter
- Lockable engine cover
- Vandal protected instrument panel
- Transport lifting points front/rear
- Emergency stop button
- Rear drum vibration lock out
- Corrosion and weather protected ignition switch
- ROPS with seat belt
- 2 vibration modes automatic /manual
- Auto water spray stop in neutral
- Back-up alarm

Optional Equipment

- Flashers
- Working lights (front & rear)
- Edge cutter
- Tool kit
- Special paint

Dimensions in inches (mm)

	A	B	C	D	H	H ₂	K	L	O	S	W
BW138AD	70.5 (1790)	57.5 (1460)	25.6 (650)	31.9 (810)	75 (1905)	106.5 (2705)	12.8 (325)	102.4 (2600)	1.6 (40)	0.87 (22)	54.3 (1380)

Technical data

Weights

Basic Weight with ROPS	lbs	(kg)	8765	(3976)
Operating Weight	lbs	(kg)	9235	(4189)
Average axle load f/r	lbs	(kg)	4555/4680	(2066/2123)
Average static linear load CECE f/r	pli	(kg/cm)	83.9/86.2	(15.0/15.4)

Dimensions

Track Radius, inner	in	(mm)	142.13	(3610)
Dimensions	see sketch			

Driving Characteristics (depending on site conditions)

Speed (with vibration)	mph	(kmph)	0-3.7	(0-6.0)
Speed (for transport)	mph	(kmph)	0-6.2	(0-10.0)
Max. gradeability without/with vibration	%		40/30	

Drive

Engine manufacturer	Deutz		
Type	D 2011 L3i		
Cooling - cylinder heads	Air		
Cooling - cylinder liners	Oil		
Number of cylinders	3		
Performance ISO 9249 (max)	hp	(kW)	46.2 (34)
Speed (max)	rpm		2800
Performance SAE J1349 (max)	hp	(kW)	45.6 (34)
Speed (max)	rpm		2800
Throttle position 1	rpm		2250
Throttle position 2	rpm		2850
Electric Equipment	12 V		
Drive System	hydrostatic		
Drum Driven	f + r		

Brakes

Service brake	hydrostatic
Parking brake	SAHR

Steering

Steering system	oscillating, articulating
Steering method	hydrostatic
Steering angle +/-	25 degrees
Oscillating angle +/-	13 degrees

Vibratory system

Vibrating drum	f + r, f		
Drive system	hydrostatic		
Frequency	vpm	(Hz)	3240/3600 (54/60)
Amplitude	in	(mm)	0.016 (0.4)
Centrifugal force (each drum)	lbs	(kN)	9675/11925 (43/53)

Water Spray System

Type of water spray system	pressurized
----------------------------	-------------

Capacities

Fuel	gal	(l)	14.5	(55)
Water	gal	(l)	60.8	(230)

Technical modifications reserved. Machines may be shown with options.